

6

5

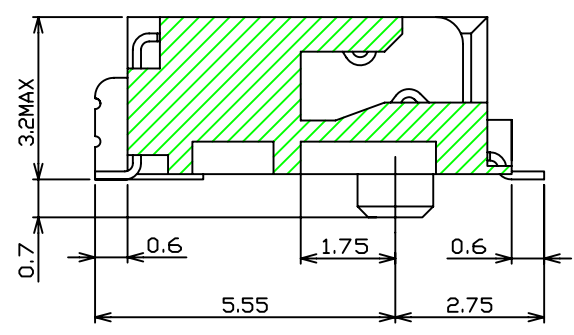
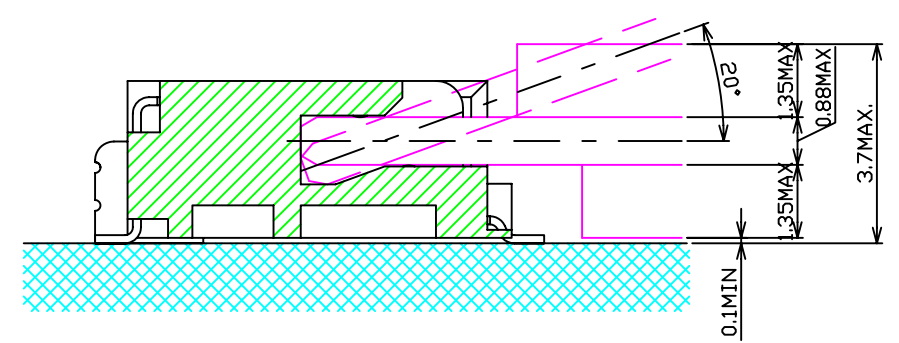
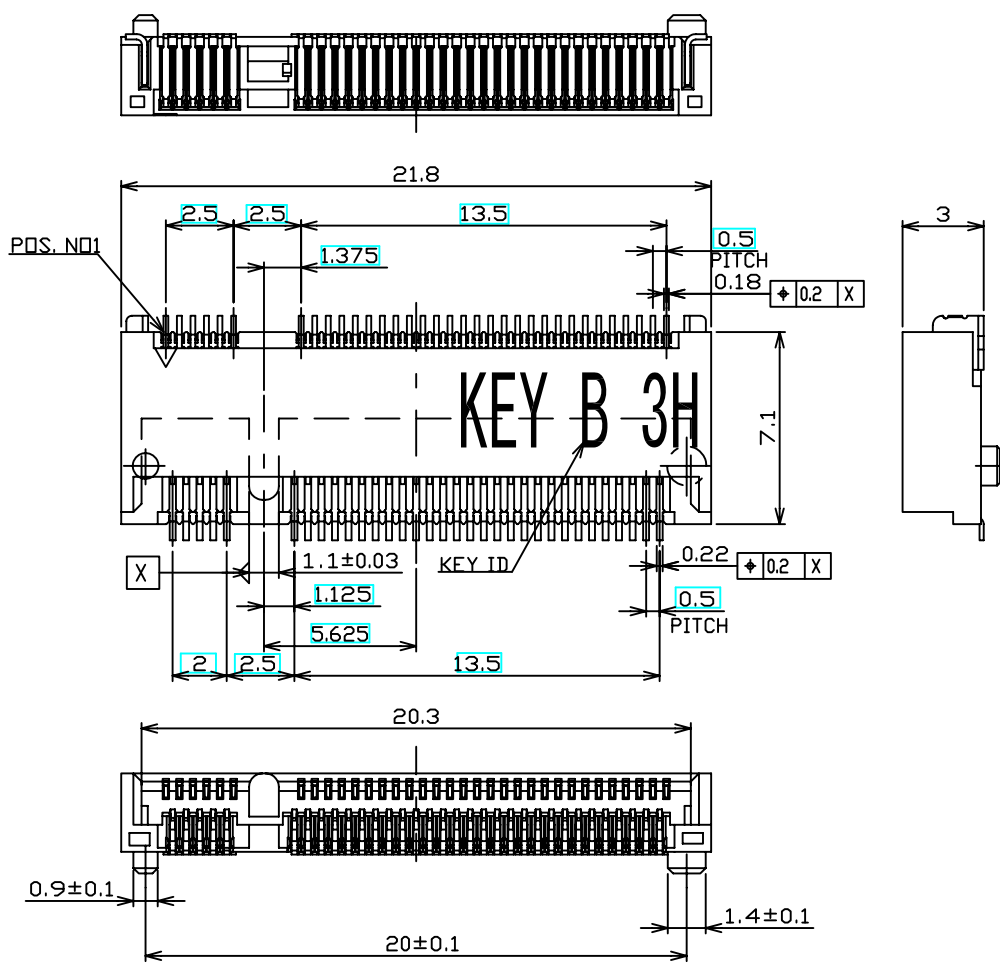
4

3

2

1

REV.	DESCRIPTION	DATE	DWG.	CHKD
0	PROPOSED	13/10/07	John	Leon

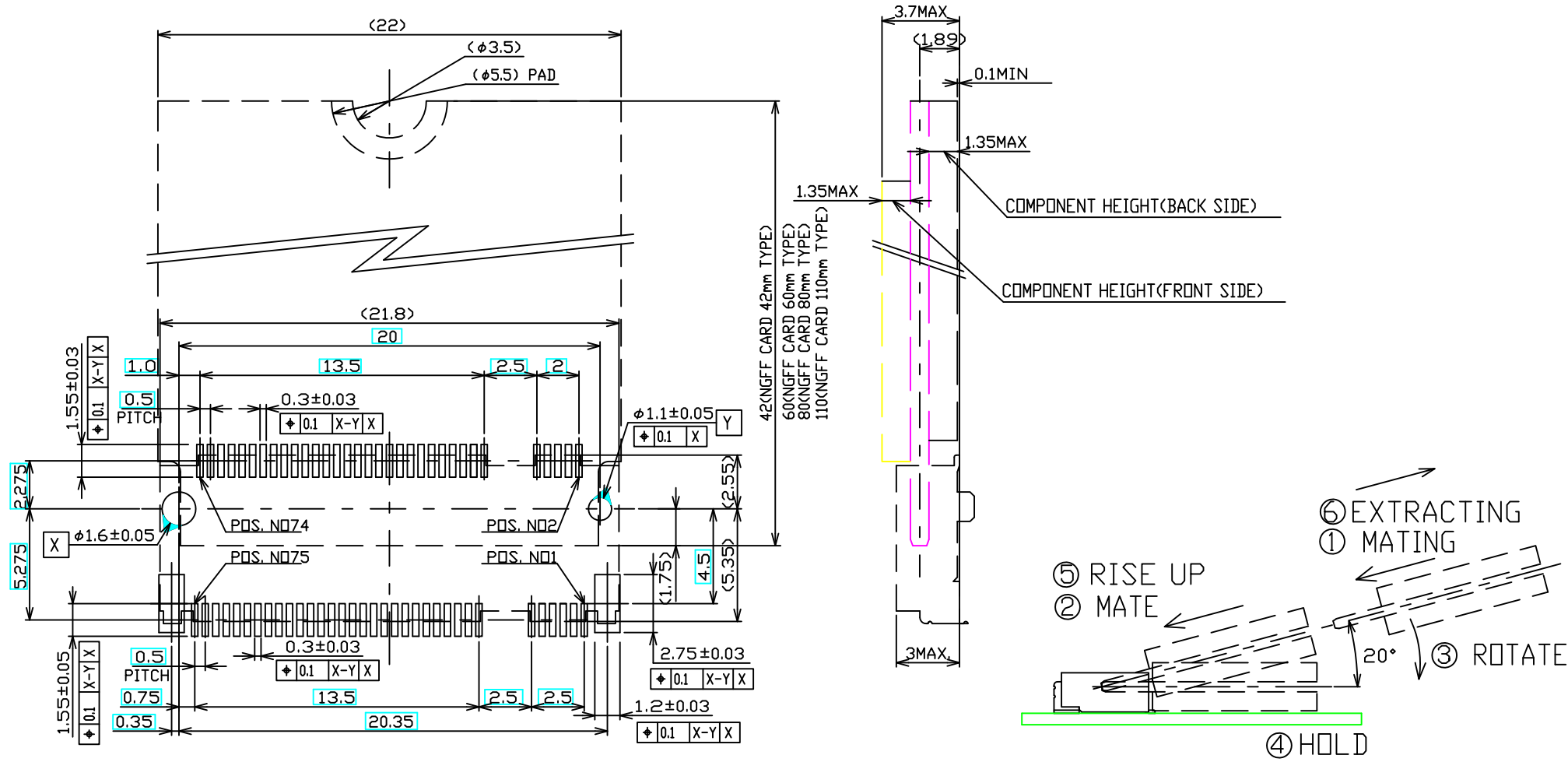


- NOTES:
- MATERIAL:
HOUSING: HIGH TEMPERATURE THERMO PLASTIC UL94V-0
TERMINAL: COPPER ALLOY
SOLDER PEG: COPPER ALLOY
 - FINISH:
TERMINAL:
CONTACT AREA: GOLD FLASH
SOLDERING AREA: SEE CHERTS
UNDER PL: NICKEL PL. 50 μ THK MIN.
 - THIS PRODUCT DOESN'T CONTAIN ENVIRONMENTAL HAZARDOUS PER DIRECTIVE 2002/95/EC FOR RoHS COMPLIANT.

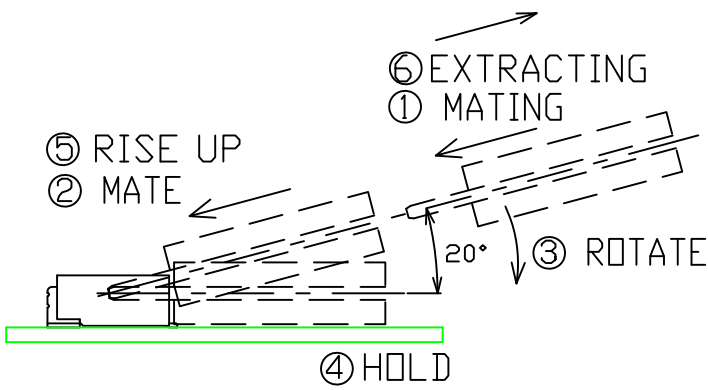
CUSTOMER	*****	GENERAL TOLERANCE	±0.2 ±3°	SCALE	1:1	SIZE	A4	UNIT: mm	REV.
CUSTOMER PART NO.	*****	PART NO.		NAME: M. 2 CONN. 3H B KEY TYPE (SHEET 1 OF 4)					
Connectec Electronics Co., Ltd.									
APP.	'13/10/07	CHKD	'13/10/07	DWG.	'13/10/07	Draw No.			
Klasu		John		Leon					

D
C
B
A

REV.	DESCRIPTION	DATE	DWG.	CHKD
SEE SHEET 1 OF 4				



KEY ID "B"
RECOMMENDED P.C.BOARD LAYOUT



CUSTOMER	*****	GENERAL TOLERANCE	±0.2 ±3°	SCALE	1:1	SIZE	A4	UNIT: mm	
CUSTOMER PART NO.	*****	PART NO.		NAME	M. 2 CONN. 3H B KEY TYPE				
Connectec Electronics Co., Ltd.		(SHEET 2 OF 4)							
APP.	'13/10/07	CHKD	'13/10/07	DWG.	'13/10/07	REV.			
	Klasu		John		Leon				

6

5

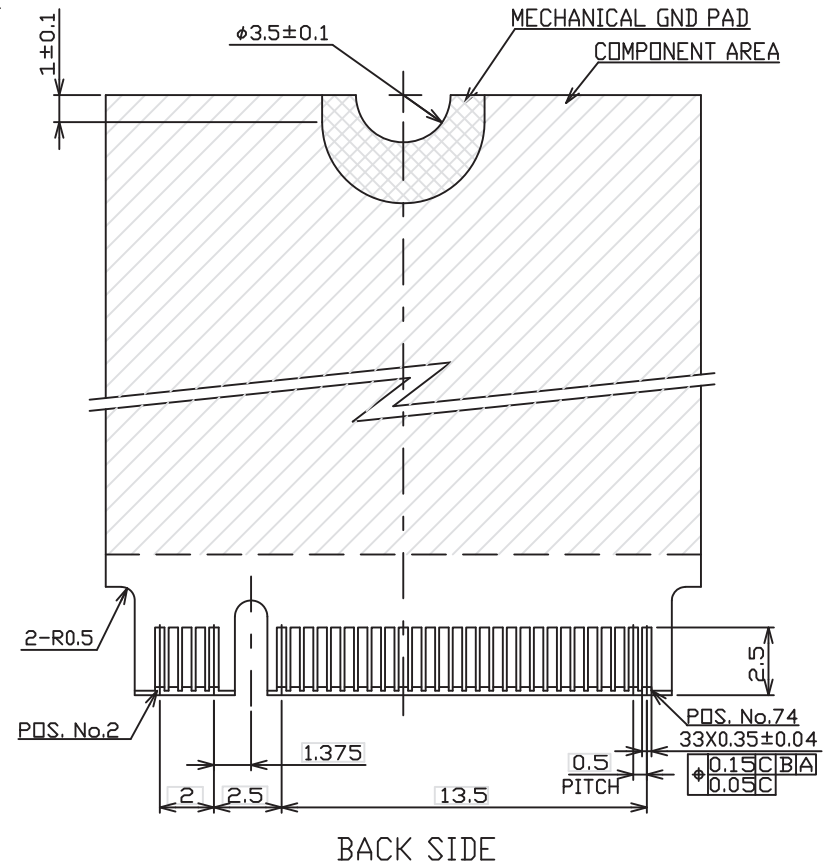
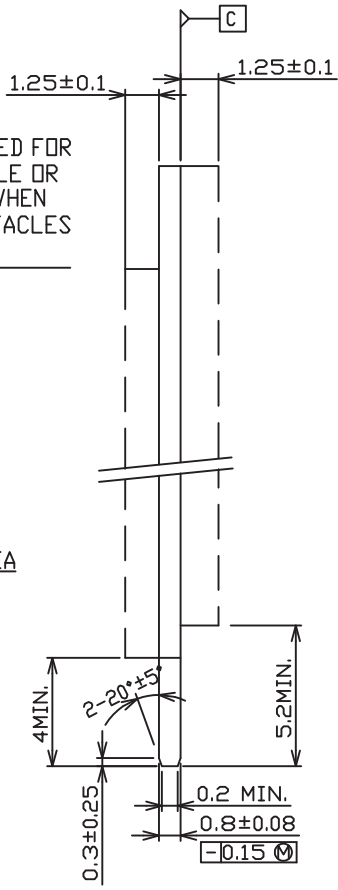
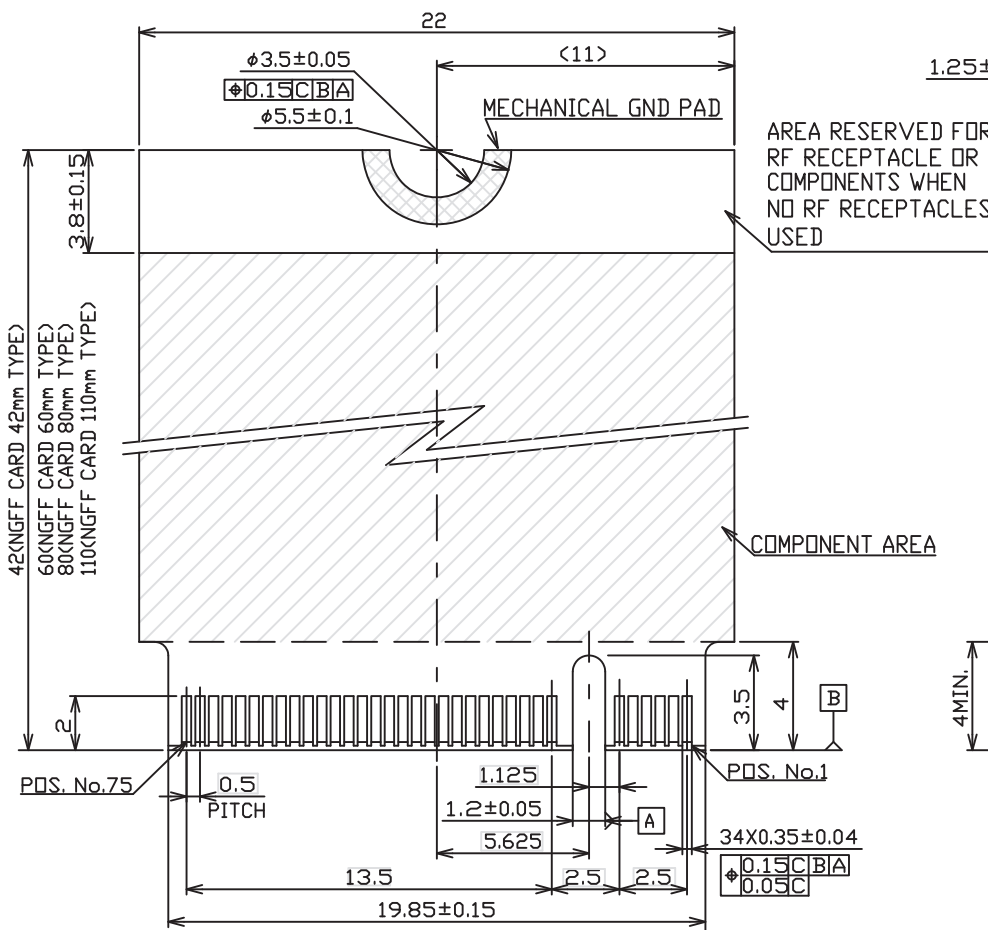
4

3

2

1

REV.	DESCRIPTION	DATE	DWG.	CHKD
<i>SEE SHEET 1 OF 4</i>				



CUSTOMER	*****	GENERAL TOLERANCE	±0.2 ±3°	SCALE	1:1	SIZE	A4	UNIT: mm	□ ⊕
CUSTOMER PART NO.	*****	PART NO.							
Connectec Electronics Co., Ltd.		M. 2 CONN. 3H B KEY TYPE							
APP.	'13/10/07	CHKD	'13/10/07	DWG.	'13/10/07	PART NO. (SHEET 3 OF 4)			
Klasu		John		Leon		REV. ○			

6

5

4

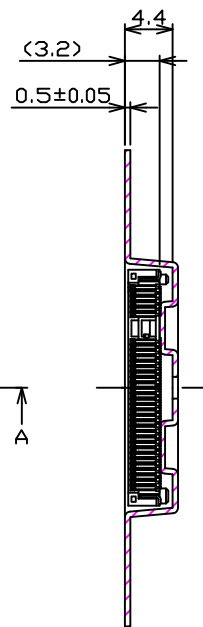
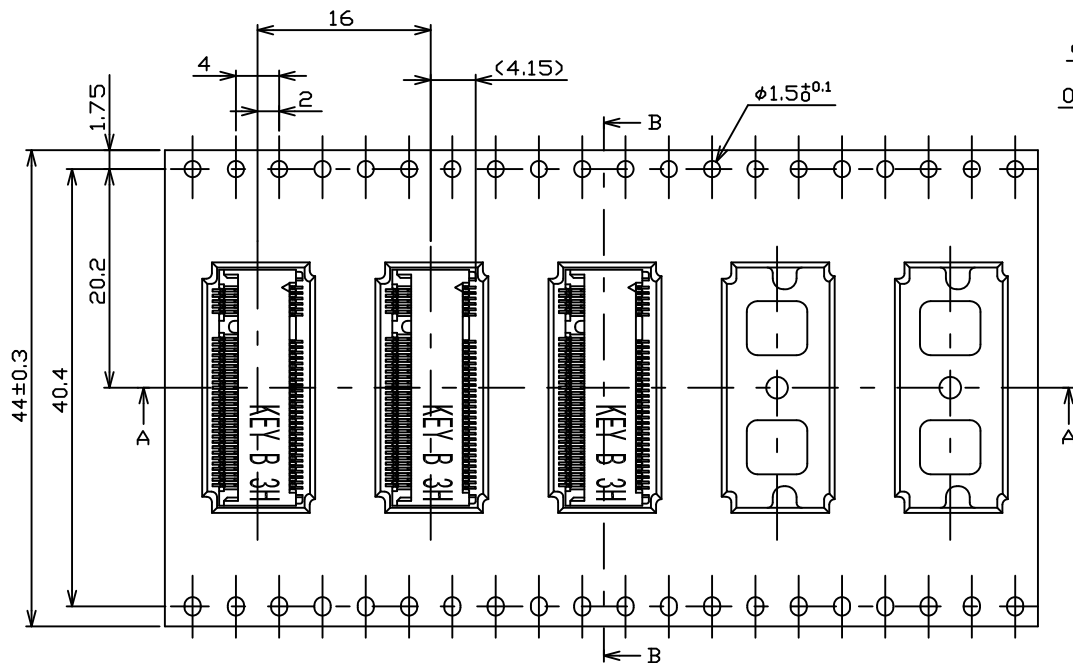
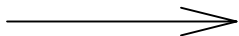
3

2

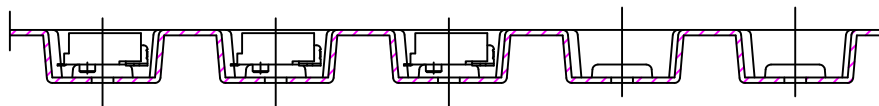
1

REV.	DESCRIPTION	DATE	DWG.	CHKD
SEE SHEET 1 OF 4				

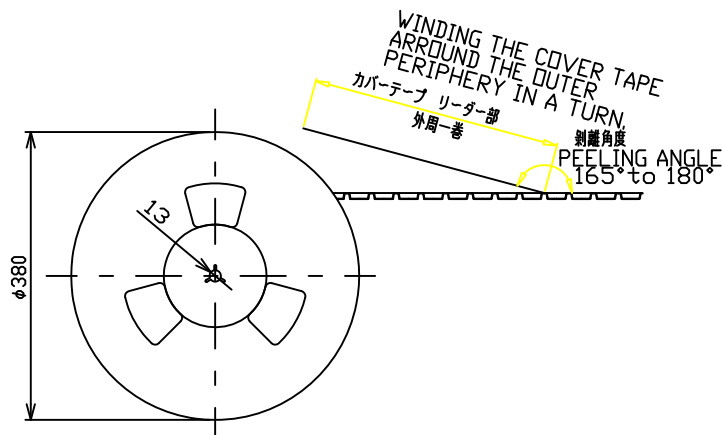
DIRECTION OFF TOP OF REEL



SECT B-B



SECT A-A



NOTES:

1. THE DIRECTION OF EACH CONNECTOR ON A EMBOSS IS REFERED TO THIS DRAWING.
2. GENERAL TOLERANCE : ± 0.5 , $\pm 3^\circ$
3. PACKAGED IN EMBOSS TAPE AND PLASTIC REEL 1200 PCS PRE REEL.

CUSTOMER	*****	GENERAL TOLERANCE	$\pm 0.2 \pm 3^\circ$	SCALE	1:1	SIZE	A4	UNIT: mm	
CUSTOMER PART NO.	*****	PART NO.		(SHEET 4 OF 4)					
Connectec Electronics Co., Ltd.		NAME	M. 2 CONN. 3H B KEY TYPE						
APP.	'13/10/07 Klasu	CHKD	'13/10/07 John	DWG.	'13/10/07 Leon	Draw No.			

D

C

B

A

6

5

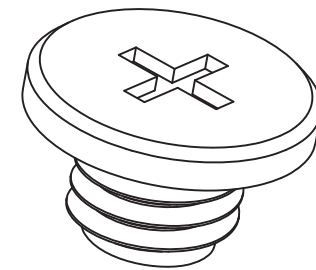
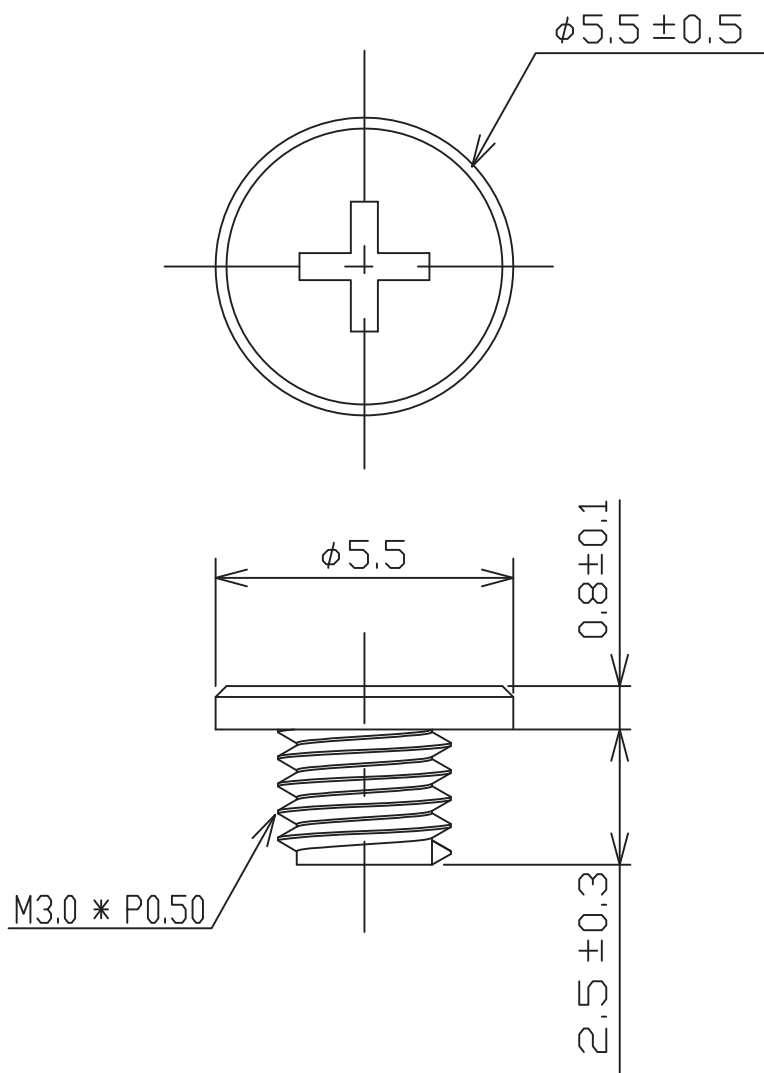
4

3

2

1

REV.	DESCRIPTION	DATE	DWG.	CHKD
SEE SHEET 1 OF 4				



- 1. MATERIAL : 低碳鋼
- 2. PLATING : Ni

CUSTOMER	*****	GENERAL TOLERANCE	± 0.2	SCALE	1:1	SIZE	A4	UNIT:mm	
CUSTOMER PART NO.	*****	PART NO.							
Connectec Electronics Co., Ltd.		M. 2 CONN. SCREW							
APP.	'13/10/07	CHKD	'13/10/07	DWG.	'13/10/07	Rev. No.			
Klasu		John		Leon					

D
C
B
A

(SHEET 1 OF 1)

6

5

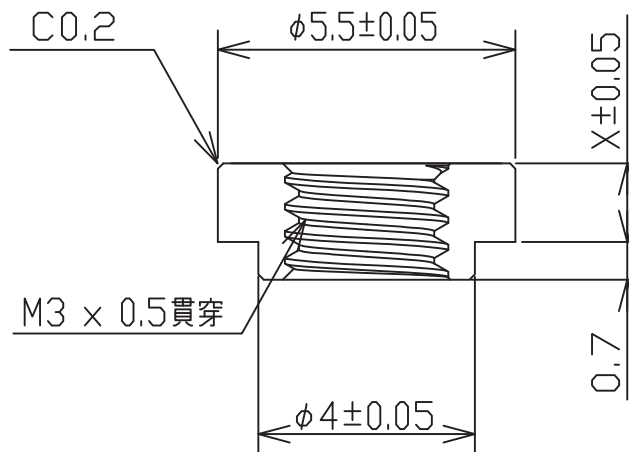
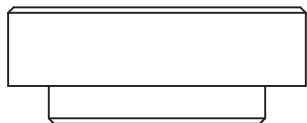
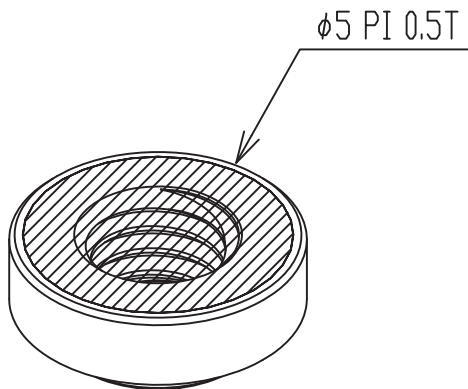
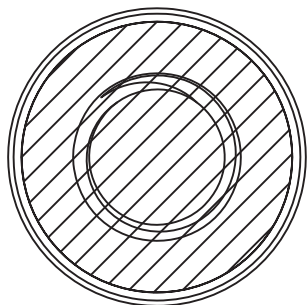
4

3

2

1

REV.	DESCRIPTION	DATE	DWG.	CHKD
SEE SHEET 1 OF 4				



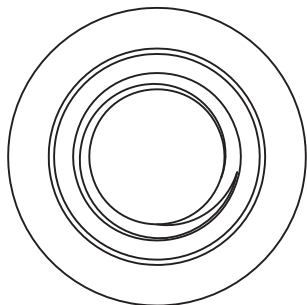
1. MATERIAL : 低碳鋼

2. PLATING : Ni

3. PART No.

X : 1.45mm M2-NUT-01 (For M. 2 H=3mm)

X : 2.45mm M2-NUT-02 (For M. 2 H=4mm)



CUSTOMER	*****	GENERAL TOLERANCE	±0.2 ±3°	SCALE	1:1	SIZE	A4	UNIT:mm	
CUSTOMER PART NO.	*****	PART NO.							
Connectec Electronics Co., Ltd.		M. 2 CONN. NUT							
APP.	'13/10/07 Klasu	CHKD	'13/10/07 John	DWG.	'13/10/07 Leon	Rev. No.			

D

C

B

A

(SHEET 1 OF 1)